

Aluminum Nitride

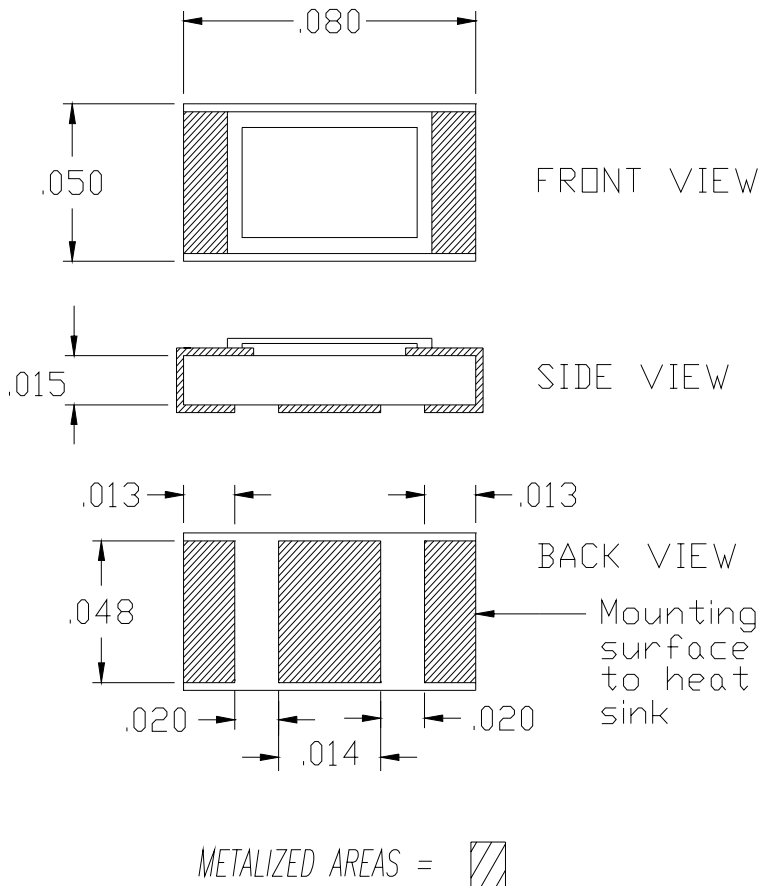
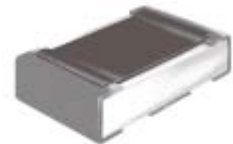
Surface Mount Resistor

Features:

- ◆ AIN Material
- ◆ Surface Mount
- ◆ .5 to 1 Megohm available

General Description:

The RY0805CT-XXXX*JN-2Q is a 50 Ohm standard surface mount resistor. Its compact design is ideal for miniature electronic assemblies. Other resistance values also available, please see below for ordering options.



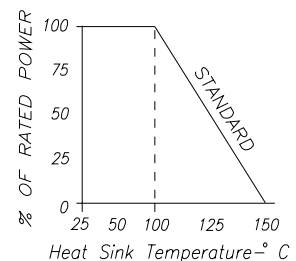
*XXXX

Ohms

0.5....R500
 11R00
 1010R0
 5050R0
 100...1000
 150...1500
 1K.....1001
 10K...1002
 100K.1003
 470K.4703
 1M....1004

Sample part number:
 RY0805CT-50R0JN-2Q

DERATING CURVE:



Parameter	Min.	Typ.	Max.	Units
Power Dissipation			5	WATTS
Heat Sink Temperature			100	°C

Barry Industries reserves the right to change part number and or process without notification.